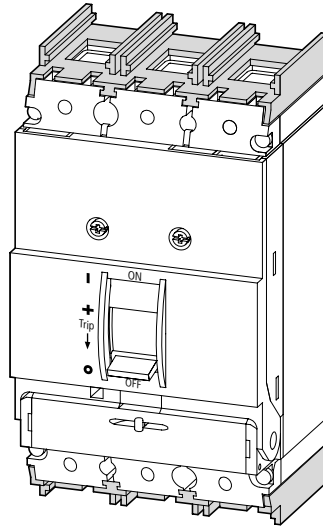
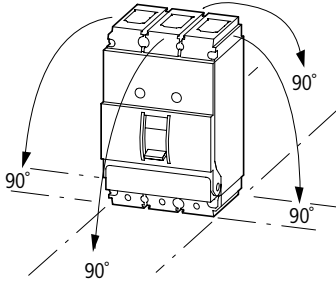


NZMB(C)(N)(H)1(-4)-A(M)(S)...
NZMB(N)1(-4)-A(AF)...-NA
NZMB(N)1-S...-CNA
(P)N1-...(-NA)
NS1-...-NA
NZMB(C)(N)(H)1-A...-AP
(P)N1-...-AP

-NA
-CNA
(UL/ CSA Models)



⚡ Lebensgefahr durch elektrischen Strom!
Nur Elektrofachkräfte und elektrotechnisch unterwiesene Personen dürfen die im Folgenden beschriebenen Arbeiten ausführen.

Electric current! Danger to life!
Only skilled or instructed persons may carry out the following operations.

Tension électrique dangereuse !
Seules les personnes qualifiées et averties doivent exécuter les travaux ci-après.

Tensione elettrica: Pericolo di morte!
Solo persone abilitate e qualificate possono eseguire le operazioni di seguito riportate.

¡Corriente eléctrica! ¡Peligro de muerte!
El trabajo a continuación descrito debe ser realizado por personas cualificadas y advertidas.

Электрический ток! Опасно для жизни!
Только специалисты или проинструктированные лица могут выполнять следующие операции.

触电危险!
只允许专业人员和受过专业训练的人员进行下列工作。

⚠ Vorsicht!
Für die Durchführung der beschriebenen Arbeiten kann das Entfernen oder der Austausch von Teilen notwendig sein.
Bitte alle Installations-Anweisungen beachten, um die erforderlichen Luft- und Kriechstrecken nach dem Zusammenbau zu gewährleisten.

Caution!
The removal or exchange of parts during mounting may become necessary.
Refer to installation instructions for proper assembly and to maintain electrical clearances.

Attention !
L'enlèvement ou l'échange de certaines pièces pendant le montage est parfois nécessaire.
Consultez l'instruction d'assemblage pour assurer une installation conforme aux normes.

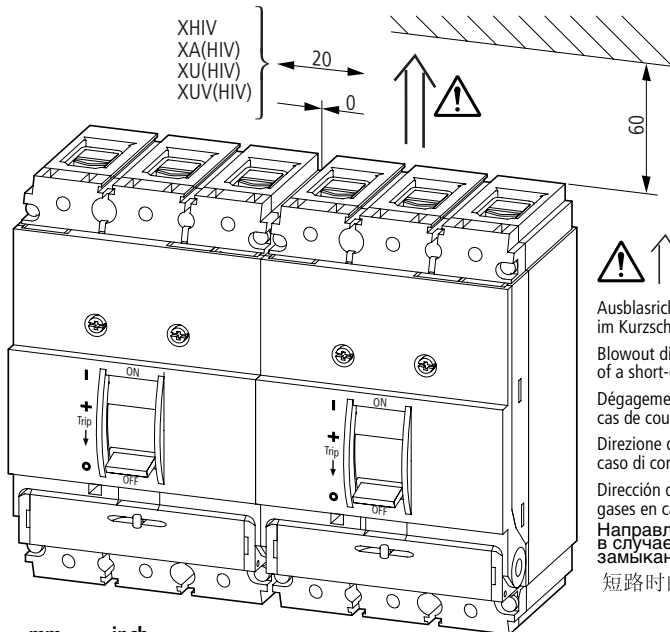
Attenzione!
Per l'esecuzione degli interventi descritti potrebbe essere necessaria la rimozione o sostituzione di alcuni pezzi.
Attenersi alle istruzioni d'installazione per garantire dopo l'assemblaggio le vie di dispersione necessarie.

Atención!
Con el fin de llevar a cabo los trabajos descritos, puede ser necesario eliminar o cambiar alguna pieza.
Le rogamos tenga en cuenta todas las instrucciones de instalación para así garantizar las líneas de fuga y efluvio necesarias tras el montaje.

Осторожно!
При проведении описанных процедур может возникнуть необходимость демонтировать или заменить детали.
Для обеспечения надлежащих зазоров и вывода тока утечки, соблюдайте все инструкции по монтажу.

小心!

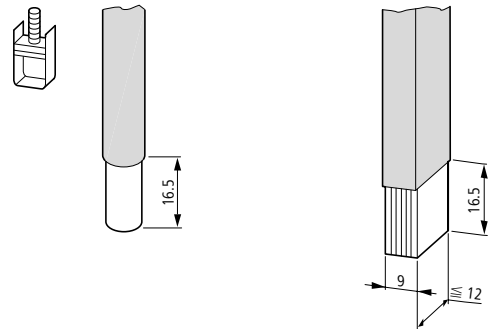
执行所描述的操作时可能需要拆除或更换零部件。
请遵守所有相关的安装说明。
以确保在组装后能获得需要的空间距离或爬电距离。



⚠ Ausblasrichtung im Kurzschlussfall
Blowout direction in case of a short-circuit
Dégagement gazeux en cas de court-circuit
Direzione di estinzione in caso di corto circuito
Dirección de salida de los gases en caso de cortocircuito
Направление продувки в случае короткого замыкания
短路时的排空方向

mm	inch
20	0.8
60	2.4

Minimum Clearance space for all models



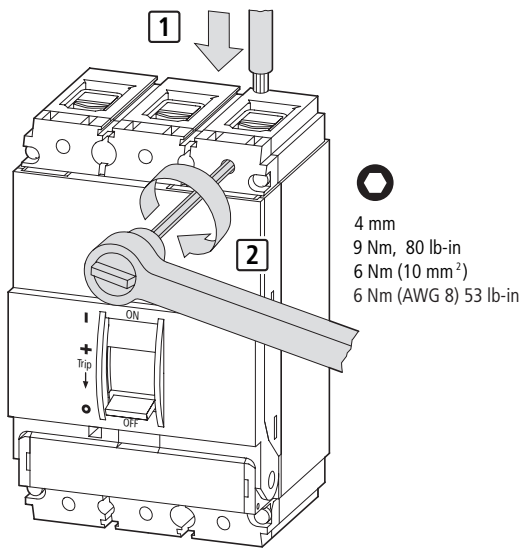
$1 \times 10 - 70 \text{ mm}^2 (95 \text{ mm}^2)^*$	$\cong 2 \times 9 \times 0.8 \text{ mm}$
$2 \times 6 - 25 \text{ mm}^2$	
$1 \times \text{AWG } 12 - 1 \times \text{AWG } 2/0$	

UL/CSA = Cu only, Ampacity per 75° C Table.

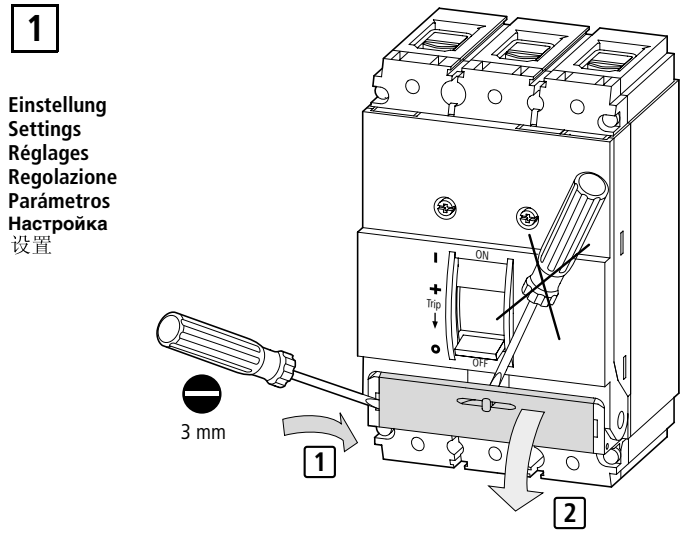
* Je nach Kabelhersteller bis zu 95 mm² anschließbar
Max. 95 mm² can be connected depending on the cable manufacturer
Selon le fabricant de câble, possibilité de raccorder jusqu'à 95 mm²
Sezione max collegabile 95 mm² in base al produttore del cavo
Dependiendo del fabricante del cable pueden conectarse hasta 95 mm²

В зависимости от производителя кабеля можно подключать до 95 мм²

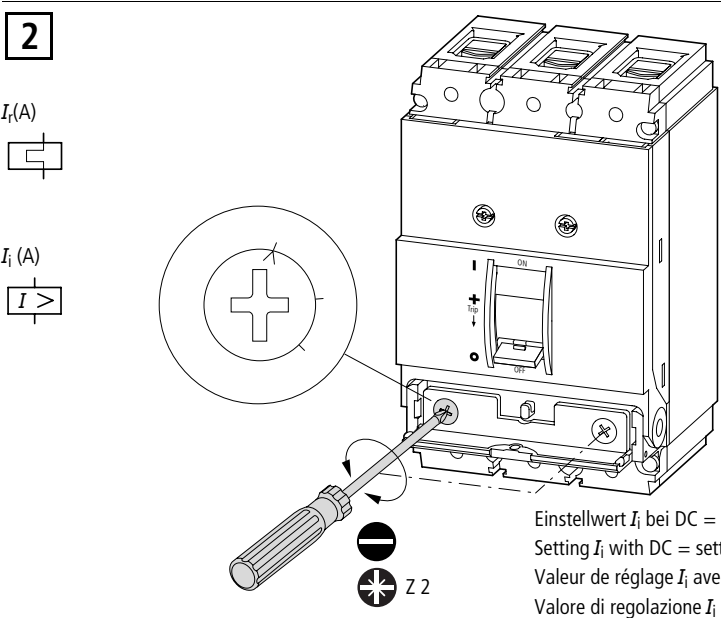
根据不同的电缆制造商,可连接最大 95 mm²



4 mm
9 Nm, 80 lb-in
6 Nm (10 mm²)
6 Nm (AWG 8) 53 lb-in



Einstellung
Settings
Réglages
Regolazione
Parámetros
Настройка
设置

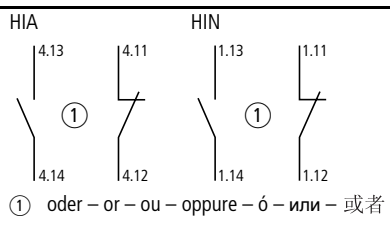


Einstellwert I_i bei DC = Einstellwert I_i AC/1,25
Setting I_i with DC = setting I_i AC/1.25
Valeur de réglage I_i avec CC = valeur de réglage I_i CA/1,25
Valore di regolazione I_i con DC = valore di regolazione I_i CA/1,25
Valor de respuesta I_i con CC = valor de respuesta I_i CA/1,25
Значение I_i при постоянном токе = I_i при переменном токе / 1.25
DC 的设置值 I_i = AC/1.25 的设置值 I_i



Note: On certain models with UL/CSA labeling the thermal trip setting is fixed and only the magnetic trip (instantaneous) setting is adjustable.

M22-K10
M22-K01
M22-CK10
M22-CK01
Auxiliary Switches



① oder – or – ou – oppure – ó – или – 或者

-NA
-CNA
(UL/CSA)



$I_{th} = I_e$

U_e (V)	I_e (A)
600 AC	10 A
250 DC	1 A

Pilot Duty Ratings:
A 600, P 300
Above 300 VAC
Same polarity



$I_{th} = I_e$

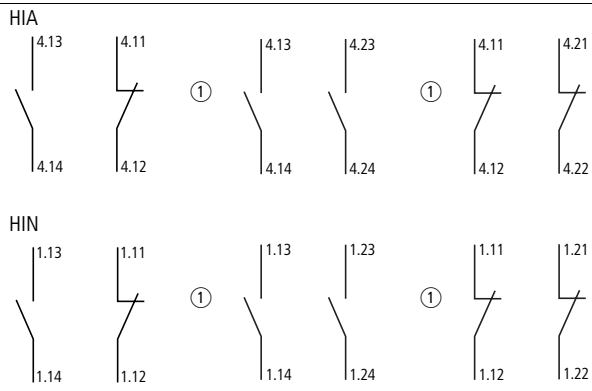
	U_e (V)	I_e (A)
AC-15	115	4
	230	4
	400	2
DC-13	500	1
	24	3
	42	1.7
	60	1.2
	110	0.8
	220	0.3

Notes on mounting and wiring Auxiliary Switches for UL/CSA labeled models:

- M22-K (10)(01) have screw terminals. M22-CK (10)(01) have clamp terminals
- Switch modules are snapped into place at the locations shown in the diagrams that follow.
- Switches will function as either „standard“ or „trip/alarm“ contacts depending on their mounting location.
- Location „HIN“ refers to standard operation. Location „HIA“ refers to „trip/alarm“ operation.
- Follow the numbering and wiring scheme provided above depending on the contact location and function. (N.O. or N.C.)
- Permissible contact configuration: 1 HIA and/or 1 HIN.

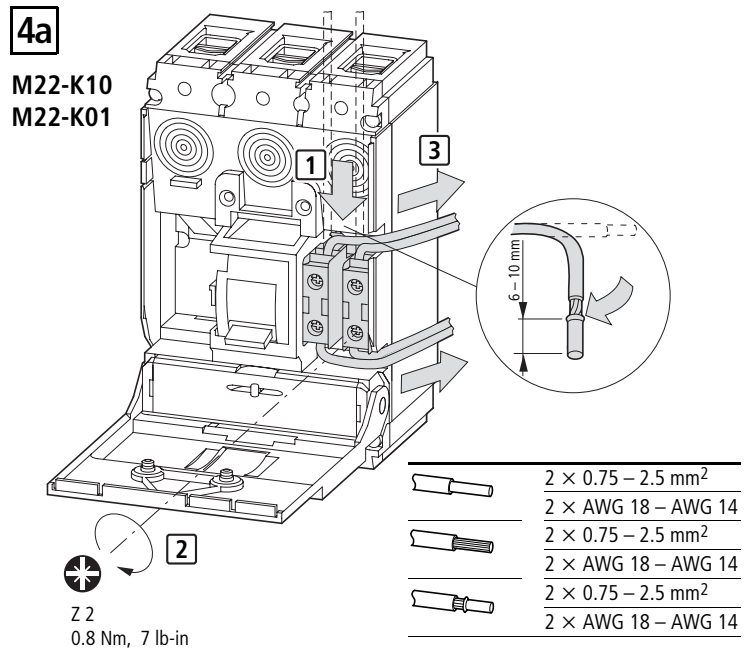
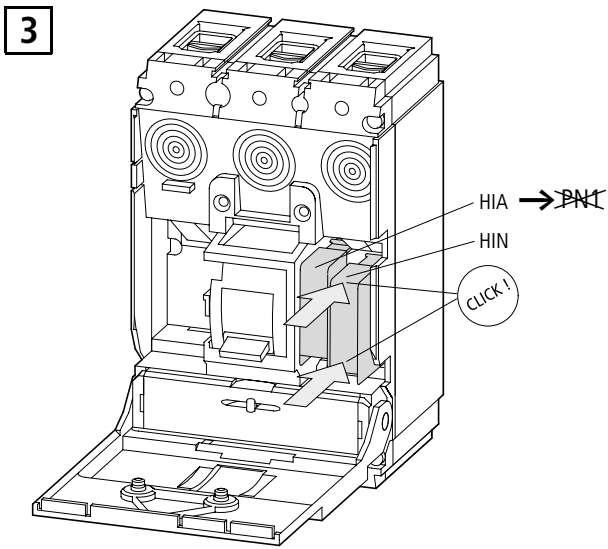
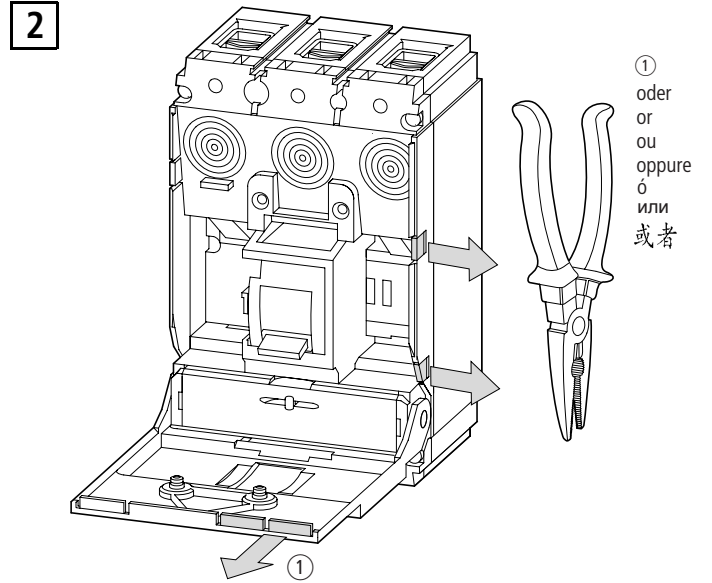
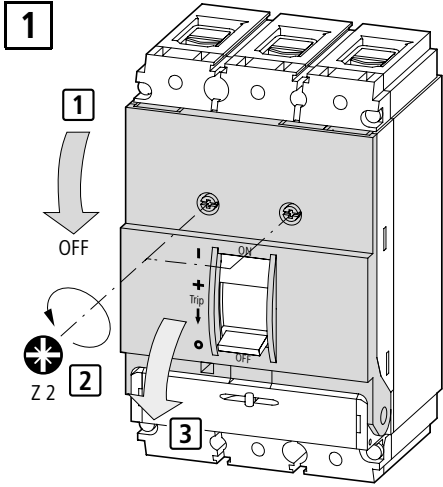
Note:
After mounting of the M22... switch is complete, check off the appropriate box on the auxiliary switch label provided on the side of the breaker or switch.

M22-CK11
M22-CK20
M22-CK02



① oder – or – ou – oppure – ó – или – 或者

Montage – Mounting – Montaggio – Montaje – Монтаж – 安裝


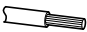






	2 × 0.75 – 2.5 mm ²
	2 × AWG 18 – AWG 14
	2 × 0.75 – 2.5 mm ²
	2 × AWG 18 – AWG 14
	2 × 0.75 – 2.5 mm ²
	2 × AWG 18 – AWG 14



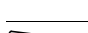
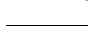
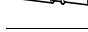

Z 2
0.8 Nm, 7 lb-in

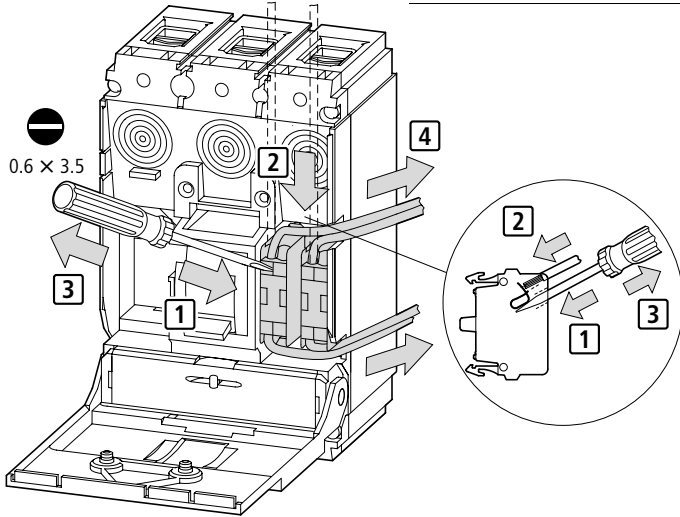
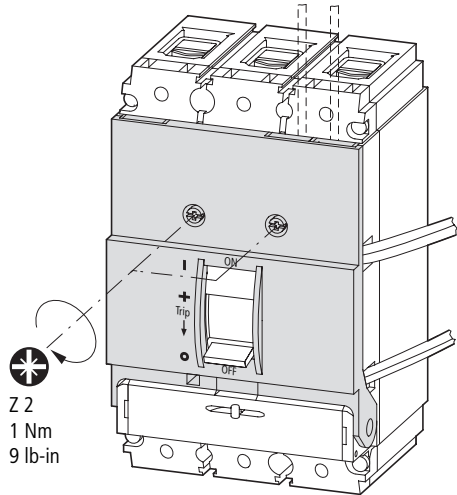
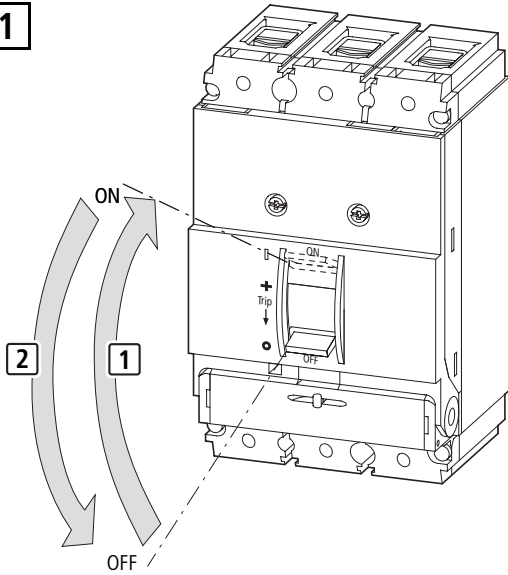
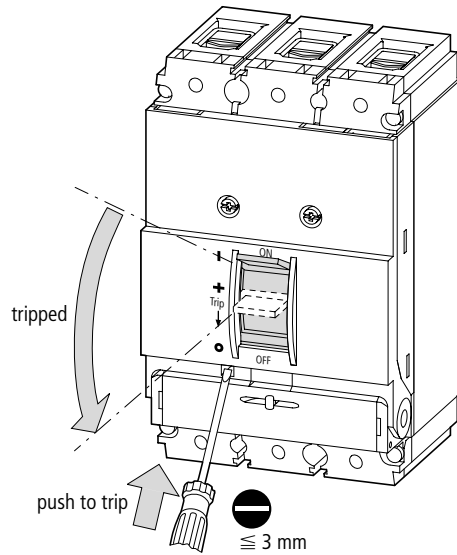
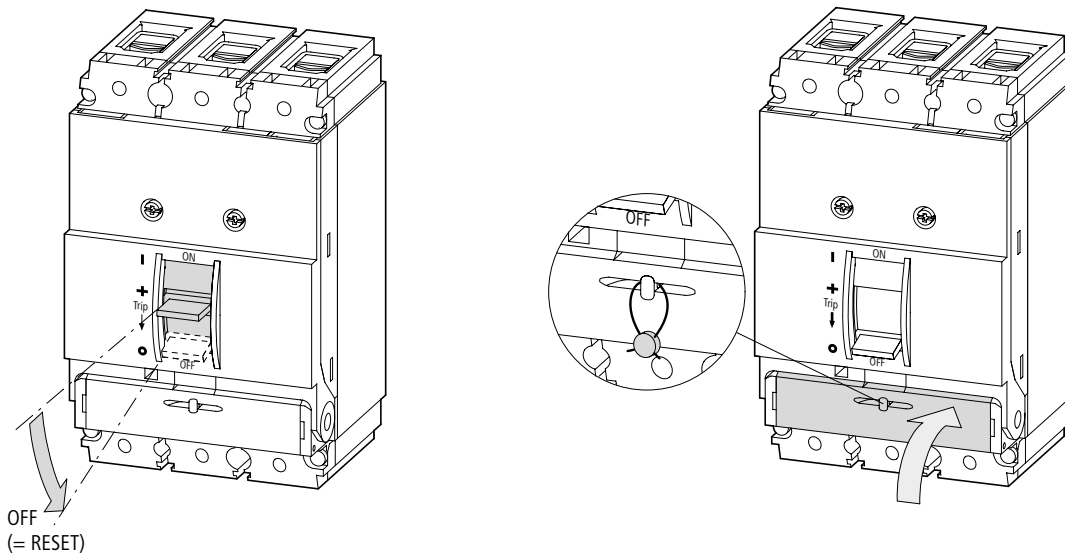
07/07 AWA1230-1913

4b**M22-CK10
M22-CK01**

	2 × 0.75 – 2.5 mm ²
	2 × AWG 18 – AWG 14
	2 × 0.75 – 2.5 mm ²
	2 × AWG 18 – AWG 14
	2 × 0.75 – 2.5 mm ²
	2 × AWG 18 – AWG 14

4c**M22-CK11
M22-CK20****M22-CK02**

	1 × 0.5 – 1.5 mm ²
	2 × 0.5 – 0.75 mm ²
	1 × 0.5 – 1.5 mm ²
	2 × 0.5 – 0.75 mm ²
	1 × 0.5 – 1.5 mm ²
	2 × 0.5 – 0.75 mm ²

**5****TEST 1****TEST 2**~~PN1...(-AP)~~**TEST 3**~~PN1...(-AP)~~

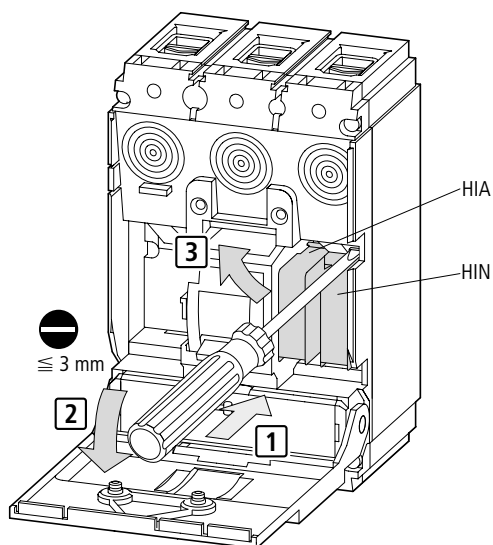
07/07 AWA1230-1913

Demontage
Dismantling
Démontage
Smontaggio
Desmontaje
Разборка
拆卸

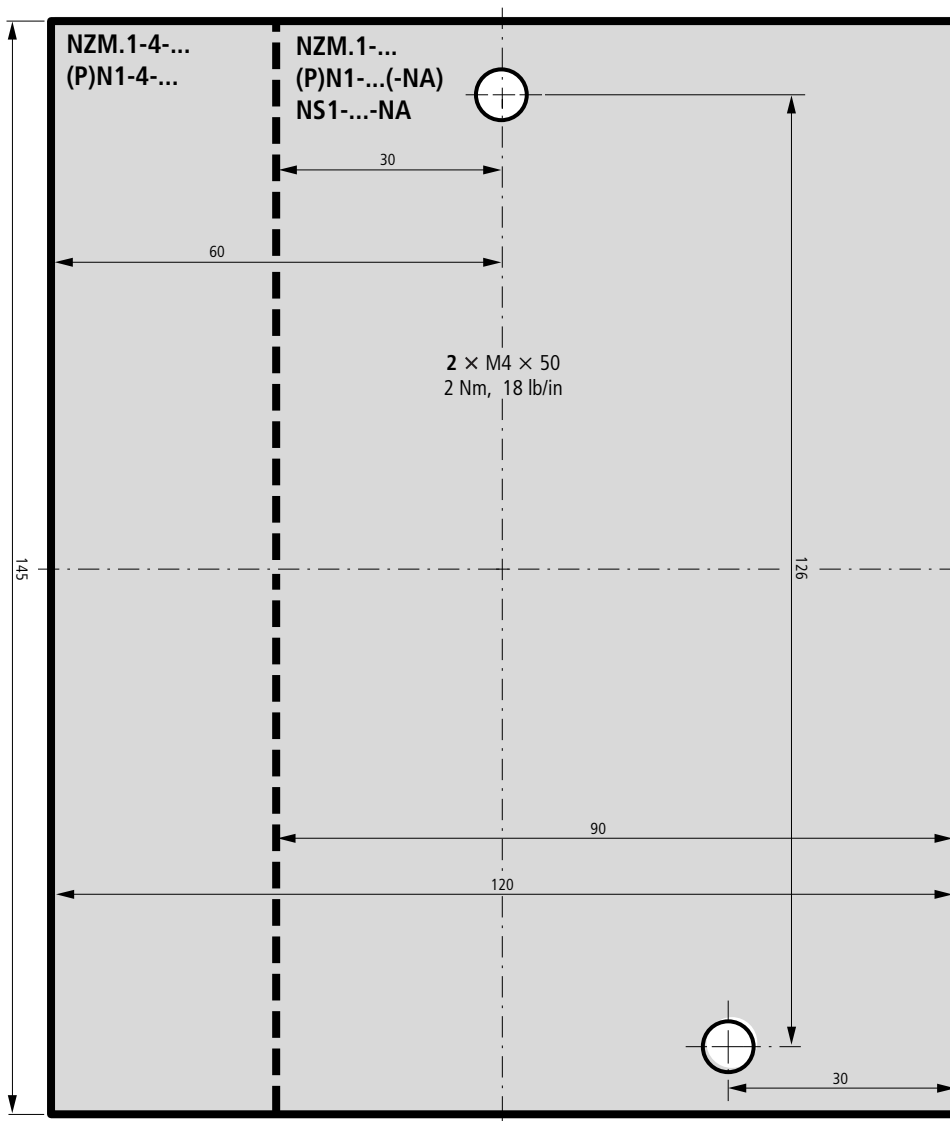
Wiring terminations circuit breaker type NZM...1...-NA (CNA)
Wiring terminations molded case switch type N(S)1...-NA

Connector Type	Wire size	Wire 75° C	Max. A-Rating	Tightening-Torque
1) NZM1-XKC	1 × AWG 2/0 – 12	Cu only	125	9 Nm, 80 lb-in 6 Nm, 53 lb-in (AWG 8 – 12)
NZM1-XKA	1 × AWG 3/0 – 6	Cu only	125	15 Nm, 133 lb-in
NZM1-XKS	1 × AWG 2/0 – 8	Cu only	125	9 Nm, 80 lb-in
2) integrated Auxiliary Terminal	1 × AWG 12 – 18	Cu only		1.2 Nm, 11 lb-in

1) Connector Type NZM1-XKC supplied standard on all NZM1 circuit breakers and switches.
2) Integrated Auxiliary Terminal on Connector Type NZM1-XKA only.



Einklappseite: 17 mm Beschnitt



07/07 AWA1230-1913