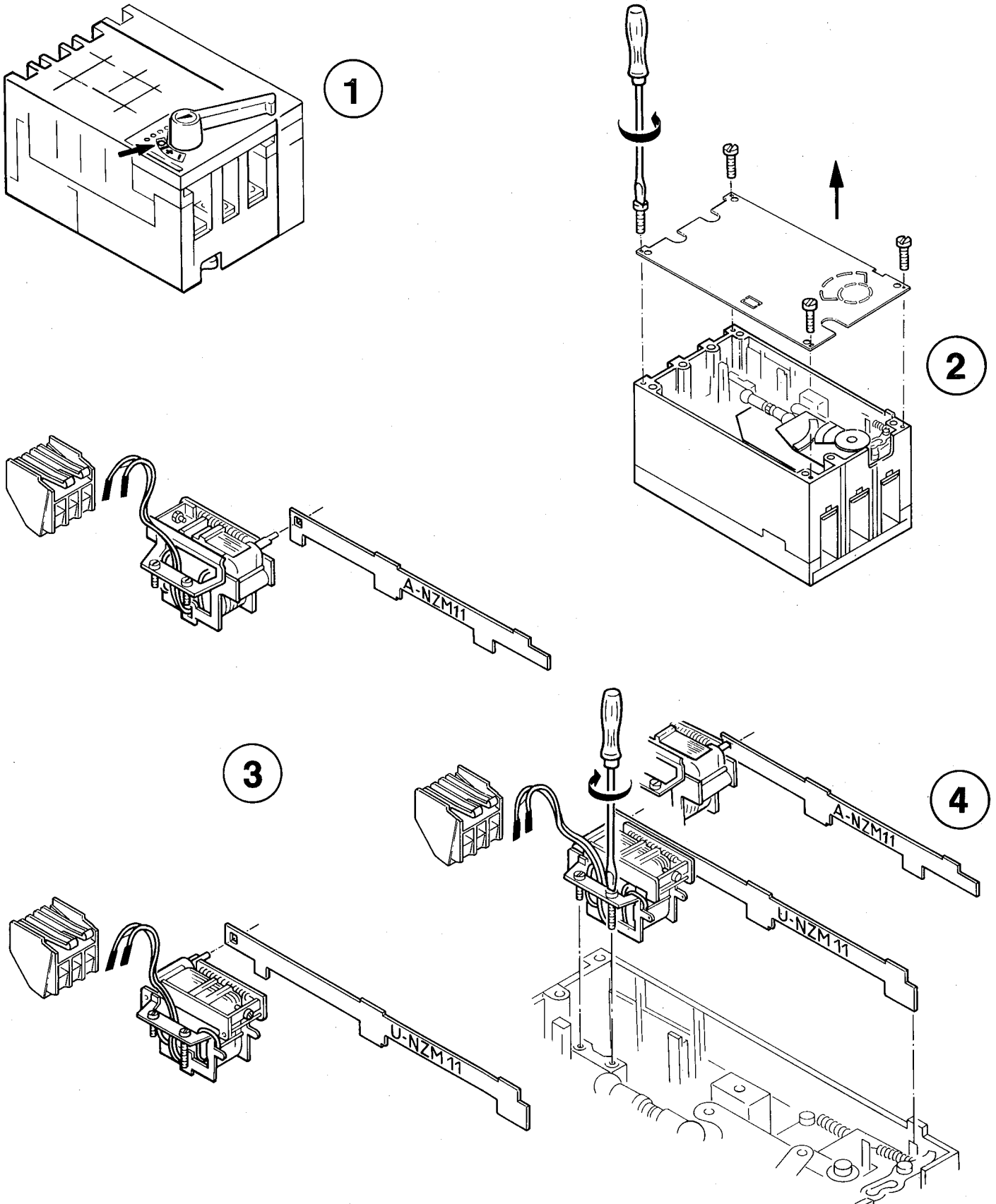
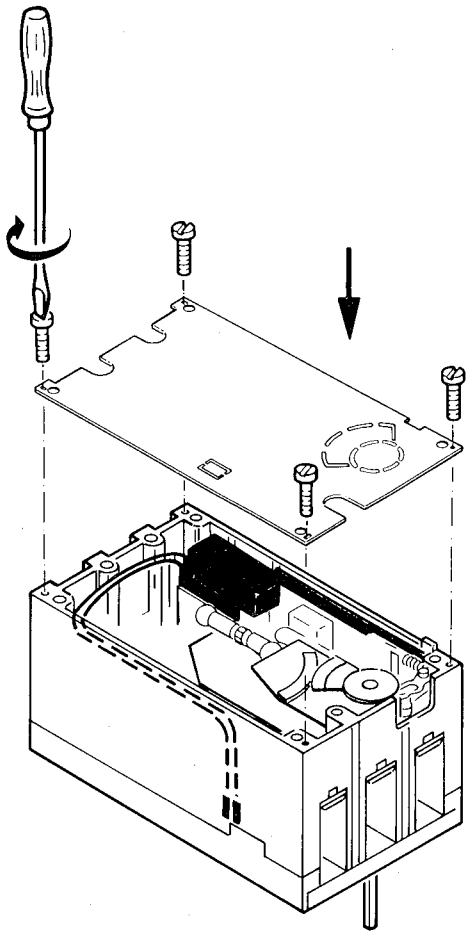


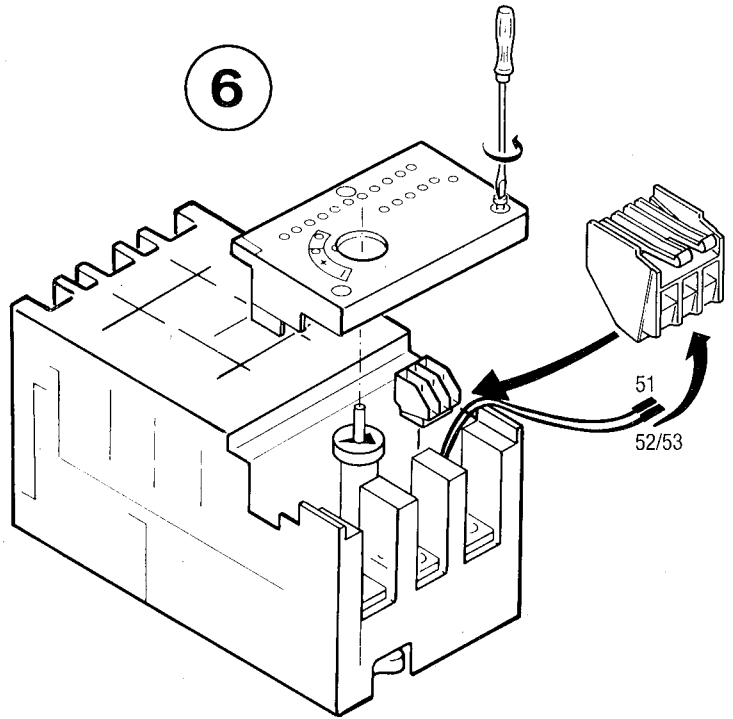
5/90 AWA 123-428

A-NZM 11(4) U-NZM 11(4)

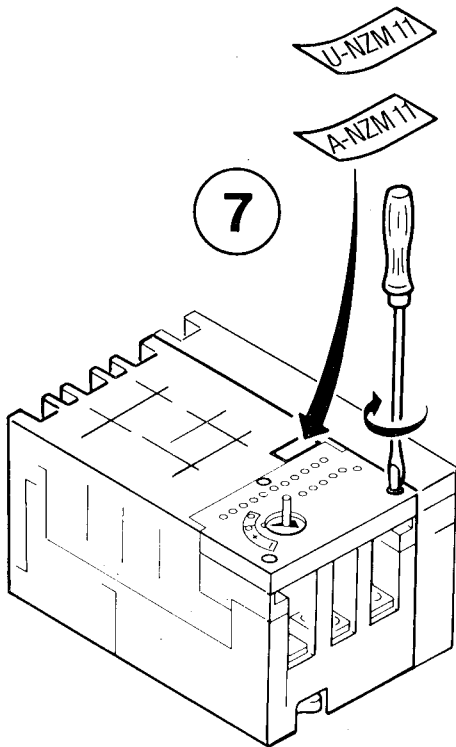




5



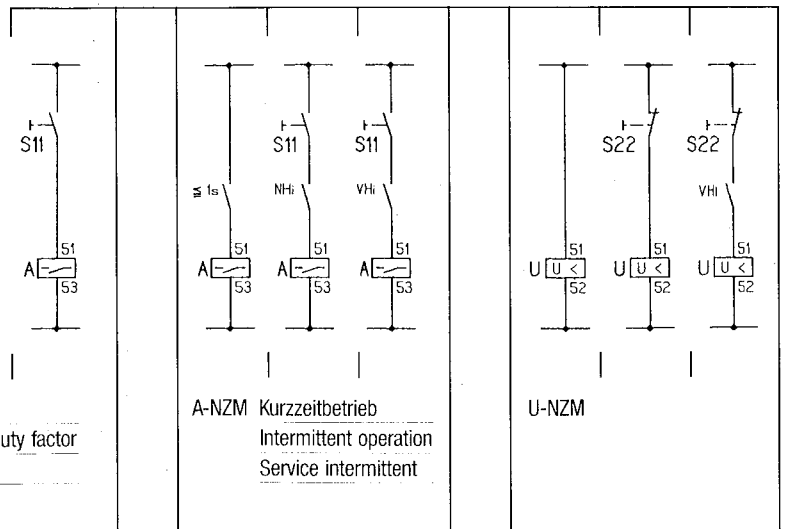
6



7

U-NZM 11
A-NZM 11

A-NZM 100% ED
100% Relative duty factor
100% FM



A-NZM Kurzzeitbetrieb
Intermittent operation
Service intermittent

U-NZM

S11 Fern-Aus
Remote-trip
Commande à distance

S22 Not-Aus
Emergency stop
Arrêt d'urgence