

AT 4 Oiltight Limit Switches Complete Units

NEMA 12, 13 / IEC IP 65 / CE

Limit Switches

Contact
N.O. = normally open
N.C. = normally closed
⊕ = safety function with positively opening contacts to IEC/EN 60 947-5-1

Contact Sequence
■ closed
□ open
Zw = positive opening clearance

Plunger
EN 50 041
Form B
Type
Article No.

Price
see price list

Roller plunger
EN 50 041
Form C
Type
Article No.

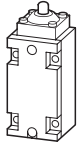
Price
see price list

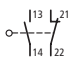

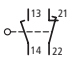

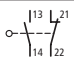

N.O. N.C.

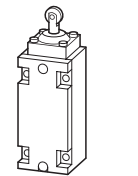
Complete Units

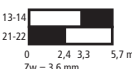


totally insulated

Narrow enclosures

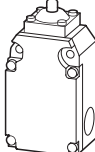


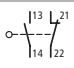

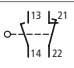

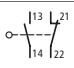

1	1	⊕		 13-14 21-22 0 2,9 3,8 6 mm Zw = 4,1 mm	AT4/11-1//S 005244
1	1	⊕		 13-14 21-22 0 2,3 3,7 6 mm Zw = 4,9 mm	AT4/11-2//S 097791
1	1	⊕		snap-action contact  13-14 21-22 13-14 21-22 0 1,8 3,2 6 mm Zw = 4,7 mm	AT4/11-S//S 090673

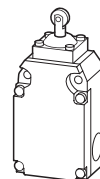





 13-14 21-22 0 2,4 3,3 5,7 mm Zw = 3,6 mm	AT4/11-1//RS 000498
 13-14 21-22 0 1,8 3,2 5,7 mm Zw = 4,4 mm	AT4/11-2//RS 090672
 13-14 21-22 13-14 21-22 0 1,3 2,7 5,7 mm Zw = 4,3 mm	AT4/11-S//RS 085927

Wide enclosures



1	1	⊕		 13-14 21-22 0 2,9 3,8 6 mm Zw = 4,1 mm	AT4/11-1//A/S 038466
1	1	⊕		 13-14 21-22 0 2,3 3,7 6 mm Zw = 4,9 mm	AT4/11-2//A/S 024229
1	1	⊕		snap-action contact  13-14 21-22 13-14 21-22 0 1,8 3,2 6 mm Zw = 4,7 mm	AT4/11-S//A/S 028976

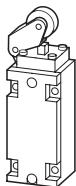
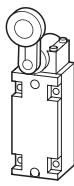
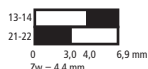
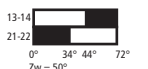


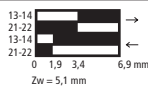
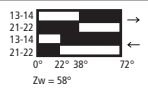
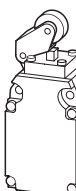
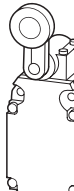

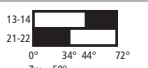
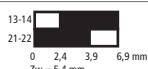
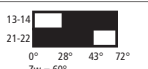
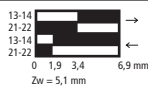
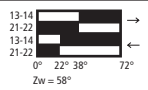


 13-14 21-22 0 2,4 3,3 5,7 mm Zw = 3,6 mm	AT4/11-1//A/RS 031347
 13-14 21-22 0 1,8 3,2 5,7 mm Zw = 4,4 mm	AT4/11-2//A/RS 021856
 13-14 21-22 13-14 21-22 0 1,3 2,7 5,7 mm Zw = 4,3 mm	AT4/11-S//A/RS 024230

AT 4 Oiltight Limit Switches

Complete Units

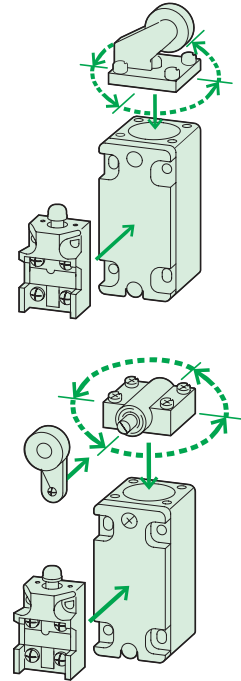
NEMA 12, 13 / IEC IP 65 / CE

Roller head		Rotary lever EN 50 041 Form A	
Type Article No.	Price see price list	Type Article No.	Price see price list
			
	AT4/11-1/I/AR 085925		AT4/11-1/I/R316 095417
	AT4/11-2/I/AR 076434		AT4/11-2/I/R316 085926
	AT4/11-S/I/AR 062197		AT4/11-S/I/R316 081181
			
	AT4/11-1/IA/AR 017109		AT4/11-1/IA/R316 026601
	AT4/11-2/IA/AR 005245		AT4/11-2/IA/R316 014737
	AT4/11-S/IA/AR 000500		AT4/11-S/IA/R316 019484

Notes

The operating heads can be turned in 90° stages to match the specified direction of operation.

For IP 65 protection, use cable gland M20 with a maximum connection thread length of 9.5mm (V-M20).



Accessories

Cable glands




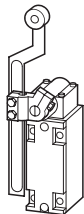
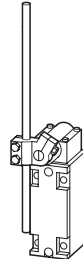
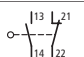
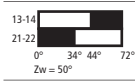
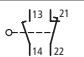
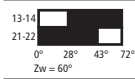
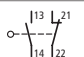

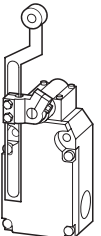
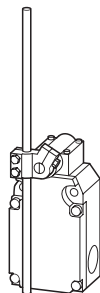
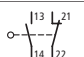
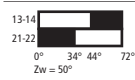
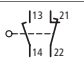
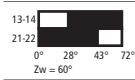
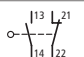
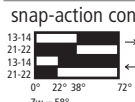
Page

06/020

AT 4 Oiltight Limit Switches Complete Units

NEMA 12, 13 / IEC IP 65 / CE

Limit Switches

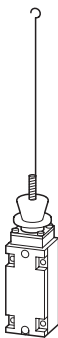







Contacts		Contact Sequence		Adjustable roller lever		Actuating rod ¹⁾	
N.O. = normally open N.C. = normally closed ⊕ = safety function with positively opening contacts to IEC/EN 60 947-5-1		closed  open  Zw = positive opening clearance		Type	Price	Type	Price
N.O. N.C.				Article No.	see price list	Article No.	see price list
Complete Units							
							
Narrow enclosures							
							
1	1	⊕			AT4/11-1//V 009990		AT4/11-1//H 090671
1	1	⊕			AT4/11-2//V 000499		AT4/11-2//H 083553
1	1	⊕		snap-action contact 	AT4/11-S//V 095419		AT4/11-S//H 076435
Wide enclosures							
							
1	1	⊕			AT4/11-1//IA/V 040839		AT4/11-1//IA/H 021855
1	1	⊕			AT4/11-2//IA/V 031348		AT4/11-2//IA/H 012364
1	1	⊕		snap-action contact 	AT4/11-S//IA/V 033722		AT4/11-S//IA/H 014738

Notes

- 1) Not to be used as a safety limit switch
- 2) Not to be used as a safety limit switch; permissible only with snap-action contact.

AT 4 Oiltight Limit Switches
Complete Units

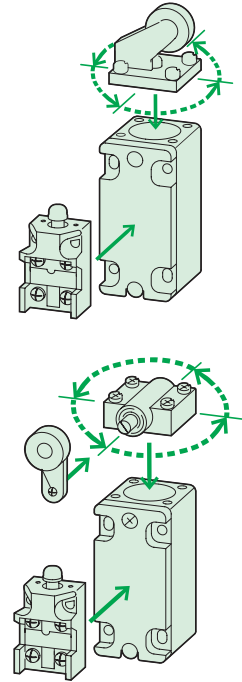
NEMA 12, 13 / IEC IP 65 / CE

Spring-rod actuator ²⁾					
Type	Price	Type	Price	Type	Price
Article No.	see price list	Article No.	see price list	Article No.	see price list
					
-		-		-	
-		-		-	
	AT4/11-S/I/F 066943		AT4/11-S/I/F2 071689		
					
-		-		-	
-		-		-	
	AT4/11-S/IA/F 005246		AT4/11-S/IA/F2 009992		

Notes

The operating heads can be turned in 90° stages to match the direction of operation.

For IP 65 protection, use cable gland M20 with a maximum connection thread length of 9.5mm (V-M20).



Accessories

Cable glands


Page

06/020

AT 4 Oiltight Limit Switches Components

Limit Switches

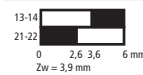
Contacts
 N.O. = normally open
 N.C. = normally closed
 ⊕ = safety function with positively opening clearance to IEC/EN 60 947-5-1
 N.O. N.C.

Contact Sequence

 closed
 open
 Zw = positive opening clearance

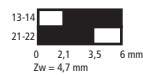
Type
 Article No. **Price**
 see price list

Switch mechanisms

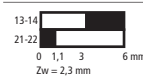
for mounting into the following insulated enclosures



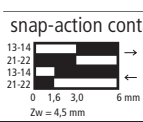
ATB11-1
069314



ATB11-2
071687



ATB11-3
077210

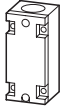


ATB11-5
074060

Insulated enclosure NEMA 12, 13 / IP 65

for housing the above switch mechanisms

Narrow version to EN 50 041



I-AT4
055226

Wide version



IA-AT4
074212

Operating heads

for mounting on the above insulated enclosures

Plunger head to EN 50 041



S-AT4
095692

Roller plunger head to EN 50 041



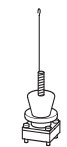
RS-AT4
024502

Actuating roller head



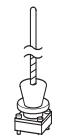
AR-AT4
088344

Spring-rod actuator head, rod length 160 mm¹⁾



F-AT4
090792

Spring-rod actuator head, rod length 130 mm¹⁾

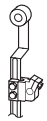





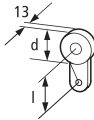
F2-AT4
036214

Notes

¹⁾ Not to be used as safety limit switch; permissible only with snap-action contact.

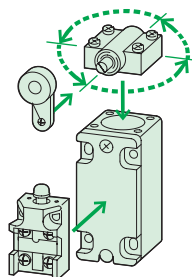
AT 4 Oiltight Limit Switches Components

	Max. operating speed lateral m/s	Angle of operation Degrees	Lever length <i>l</i> mm	Diameter <i>d</i> mm	Type Article No.	Price see price list	
Operating heads							
for combination with the insulated enclosures opposite							
Rotary drive head	3	15			R-AT4 095687		
• for combination with the actuators below	1.5	50					
Actuators							
Adjustable roller lever	2.3 1.1	15 50	150	–	HV 019631		
							
Actuating rod ¹⁾ • with adjustable aluminum rod	1.4	–	190	–	HH-A 063268		
							
Actuating rod ¹⁾ • with plastic rod	1.4	–	190	–	HH-K 063267		
							
Actuating roller lever ²⁾ • with plastic roller			30	18	HR311 059970		
				30	22		HR313 064716
				30	30		HR316 069462
				30	40		HR317 071835
				30	50		HR318 074208
				37.5	18		HR411 088446
				37.5	22		HR413 093192
				37.5	30		HR416 097938
				37.5	40		HR417 012511
				37.5	50		HR418 014884
			50	18	HR511 033868		
		50	22	HR513 038614			
		50	30	HR516 043360			
		50	40	HR517 045733			
		50	50	HR518 048106			



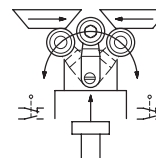
Notes

The operating heads can be turned in 90° stages to match the specified direction of operation.

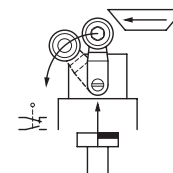


With the rotary drive, the method of closing contacts can be selected to suit the direction of operation simply by turning the plunger components.

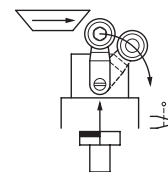
Contact closed in both directions



only when actuated from the right



only when actuated from the left



For IP 65 protection, use cable gland M20 with a maximum connection thread length of 9.5mm (V-M20).

Accessories	Page
Cable glands	06/020

Notes ¹⁾ Not to be used as a safety limit switch; permissible only with snap-action contact.
²⁾ For non-standard rollers, please inquire.