

Actuating voltage	Approval	Category to EN 954-1	Number of enabling paths to IEC/EN 60204 Stop category	Signalling contacts	Part no. Article no.	Price see price list	
U_c			0	1			
Safety relays for Emergency-Stop and protective door monitoring							
	24 V DC, 24 V AC, 50/60 Hz	Dual-channel 	4	3	–	–	ESR4-NO-30-24VAC-DC 279368
	115 V AC, 50/60 Hz	Dual-channel 	4	3	–	–	ESR4-NO-30-115VAC 279410
	230 V AC, 50/60 Hz	Dual-channel 	4	3	–	–	ESR4-NO-30-230VAC 279369
	24 V DC, 24 V AC, 50/60 Hz	Single-channel 	2	3	–	1	ESR4-NO-31 214612
	115 V AC, 50/60 Hz	Single-channel 	2	3	–	1	ESR4-NO-31-115VAC 279367
	230 V AC, 50/60 Hz	Single-channel 	2	3	–	1	ESR4-NO-31-230VAC 279365
	24 V DC, 24 V AC, 50/60 Hz	Dual-channel 	4	2	–	1	ESR4-NO-21 214613
	24V DC	Dual-channel, Off-delayed, 0.15 – 3 s 	4 (non-delayed) 3 (delayed)	2	1	–	ESR4-NV3-30 214616
	24V DC	Dual-channel, Off-delayed, 1.5 – 30 s 	4 (non-delayed) 3 (delayed)	2	1	–	ESR4-NV30-30 ¹⁾ 214617
	Can be used up to: prEN ISO 13849-1 PL e (PL = Performance level) EN 61508 SIL 3 (SIL = Safety integrity level) EN 62061 SILCL 3 (SILCL = Safety integrity level claim limit)	24 V DC, 24 V AC, 50/60 Hz	Dual-channel 	4	3	–	1
230 V AC, 50/60 Hz		Dual-channel 	4	3	–	1	ESR4-NOE-31-230VAC ²⁾ 106844
24 V DC, 24 V AC, 50/60 Hz		Dual-channel 	4	4	–	–	ESR4-NOE-40-24VAC-DC ²⁾ 106845
230 V AC, 50/60 Hz		Dual-channel 	4	4	–	–	ESR4-NOE-40-230VAC ²⁾ 106846
Safety relay							
Two-hand relay							
24 V DC, 24 V AC 50/60 Hz	Dual-channel 	4	2	–	1	ESR4-NZ-21 ³⁾ 214620	
Contact expansion modules							
24 V DC, 24 V AC 50/60 Hz	Non-delayed 	4	4	–	2	ESR4-NE-42 ⁴⁾ 214614	
24V DC	Off-delayed, $t_A = 3$ s 	4	–	4	2	ESR4-VE3-42 ⁴⁾ 214618	

Notes

- 1) Suitable for LS-S...MT-ZBZ safety position switch with interlocking option.
- 2) Approved for lifts according to EN 81-1 and furnaces according to EN 50156-1 (Safety-level step 3).
- 3) Safety category to EN 954-1: The base unit determines the maximum safety category.
- 4) Stop category to EN 60204: The base unit determines the maximum safety category.

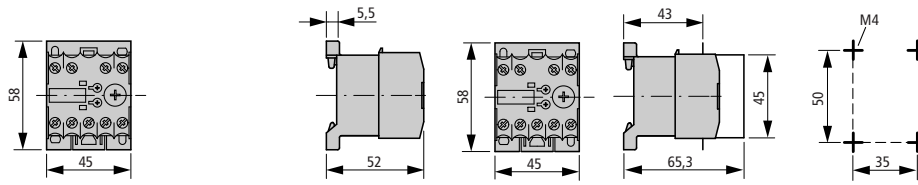
Electronic relays



Electronic timing relays

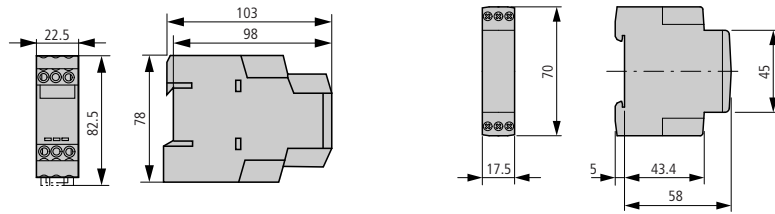
DILET...

DILET... + HDILE



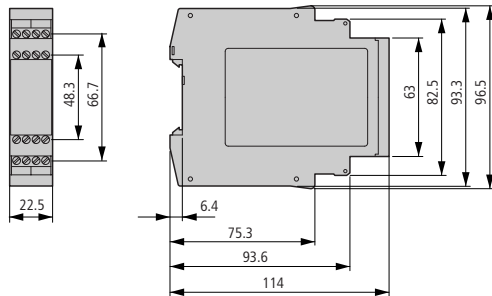
ETR4...

ETR2...



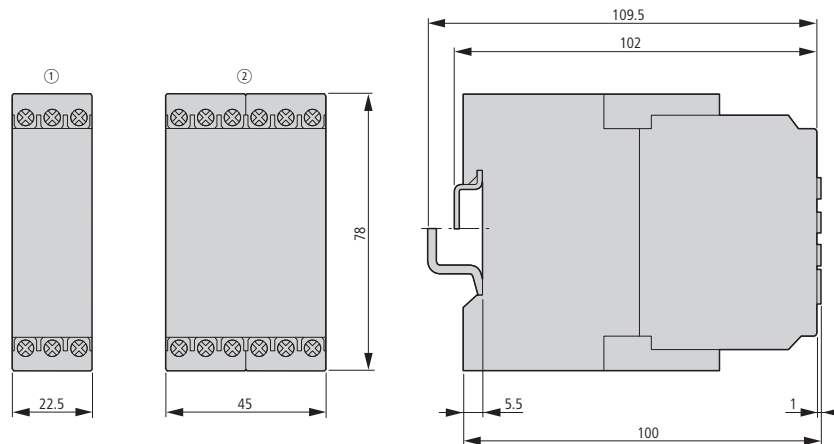
Electronic Safety Relays

ESR4...



Measuring and monitoring relays

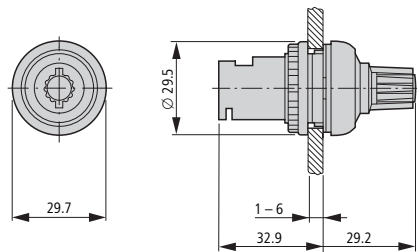
EMR4...



	①	②
EMR4-F500-2	●	
EMR4-W...1...	●	
EMR4-W...2...		●
EMR4-A...1...	●	
EMR4-N100-1-B	●	
EMR4-N500...		●
EMR4-R...		●
EMR4-AW...	●	

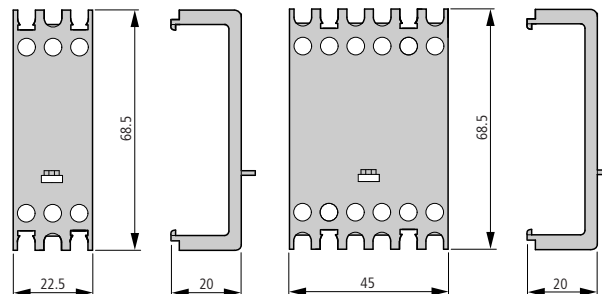
Potentiometer

M22-R...K...



Sealable shrouds

EMR4-PH...



Electronic relays

